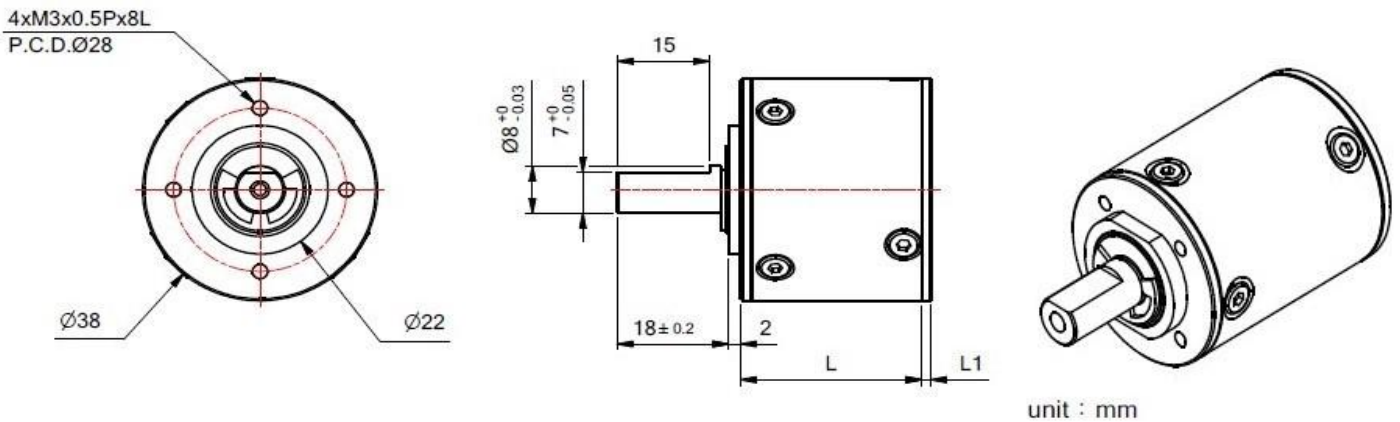




38 External Dimensions and Motor Teeth



unit : mm

Reducer Performance Data

Specifications		1-Stage		2-Stage		3-Stage						
		Ratio	Torque	Ratio	Torque	Ratio	Torque	Ratio	Torque	Ratio	Torque	
Rated Output Torque	Nm	4	0.3	16	0.8	/	/	100	2	/	/	
		6	0.3	25	1	/	/	/	/	/	/	
		/	/	39	1.5	/	/	/	/	/	/	
		/	/	/	/	/	/	/	/	/	/	/
		/	/	/	/	/	/	/	/	/	/	/
Maximum Acceleration Torque	Nm	1.5 Twice the Rated Output Torque										
Rated Input Speed	rpm	5000		5000		5000						
Maximum Acceleration Input Speed	rpm	7000		7000		7000						
Backlash	acrmin	≤30		≤45		≤65						
Radial Load	N	90										
Axial Load	N	45										
Motor Gear Hole Diameter	mm	2.3~3.0										
Motor Shaft Length	mm	According to customer requirements										
Length (L)	mm	27.3		34.8		42.3						
Adapter Plate Length (L1)		According to customer requirements										
Efficiency	%	90		85		80						
Weight	g	147		195		243						
Operating Temperature	°C	-10°C ~ +70°C										
Installation Direction		In any direction										

These reducers are not of integer ratio.



4F., No.48, Wugong 6th Rd., Wugu Dist., New Taipei City 248, Taiwan

Tel : +886- 2-2299-1556
Fax : +886- 2-2299-1881

e-mail : info@ideadesignproduction.com
www.ideadesignproduction.com