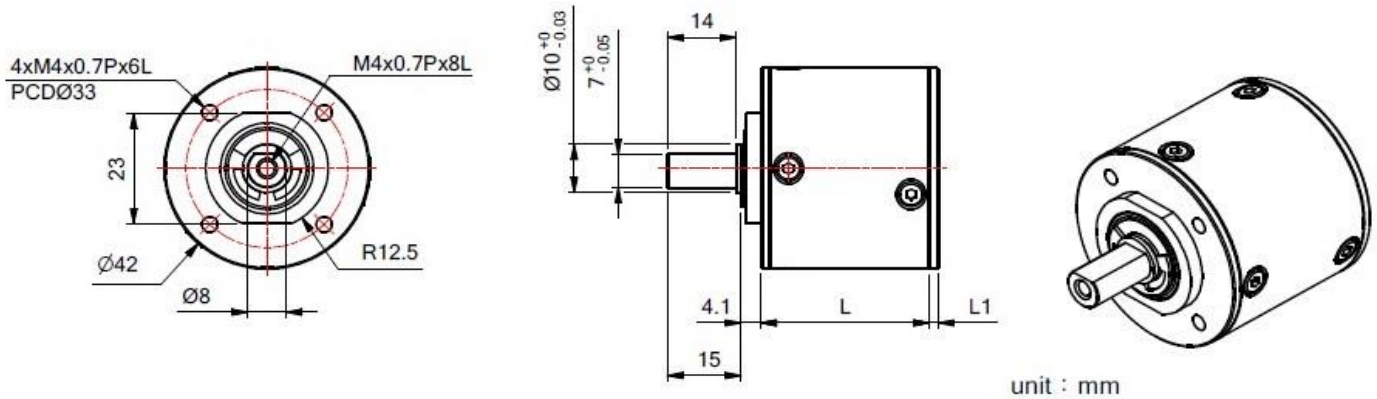




42 External Dimensions and Motor Teeth



Reducer Performance Data

Specifications		1-Stage		2-Stage		3-Stage							
		Ratio	Torque	Ratio	Torque	Ratio	Torque	Ratio	Torque	Ratio	Torque	Ratio	Torque
Rated Output Torque	Nm	4	0.4	16	1.0	46	1.0	71	2.5	181	2.5		
		5	0.4	19	1.0			83	2.5	196	2.5		
		7	0.4	27	1.0			100	2.5				
		10	0.4	32	1.0			115	2.5				
				35	1.0			130	2.5				
Maximum Acceleration Torque	Nm	1.5 Twice the Rated Output Torque											
Rated Input Speed	rpm	5000		5000		5000							
Maximum Acceleration Input Speed	rpm	7000		7000		7000							
Backlash	acrmin	≤30		≤45		≤65							
Radial Load	N	90											
Axial Load	N	45											
Motor Gear Hole Diameter	mm	2.3~4.0											
Motor Shaft Length	mm	According to customer requirements											
Length (L)	mm	36.2		36.2		45.5							
Adapter Plate Length (L1)		According to customer requirements											
Efficiency	%	90		85		80							
Weight	g	220		220		300							
Operating Temperature	°C	-10°C ~ +70°C											
Installation Direction		In any direction											

These reducers are not of integer ratio.



4F., No.48, Wugong 6th Rd., Wugu Dist., New Taipei City 248, Taiwan

Tel : +886- 2-2299-1556
Fax : +886- 2-2299-1881

e-mail : info@ideadesignproduction.com
www.ideadesignproduction.com