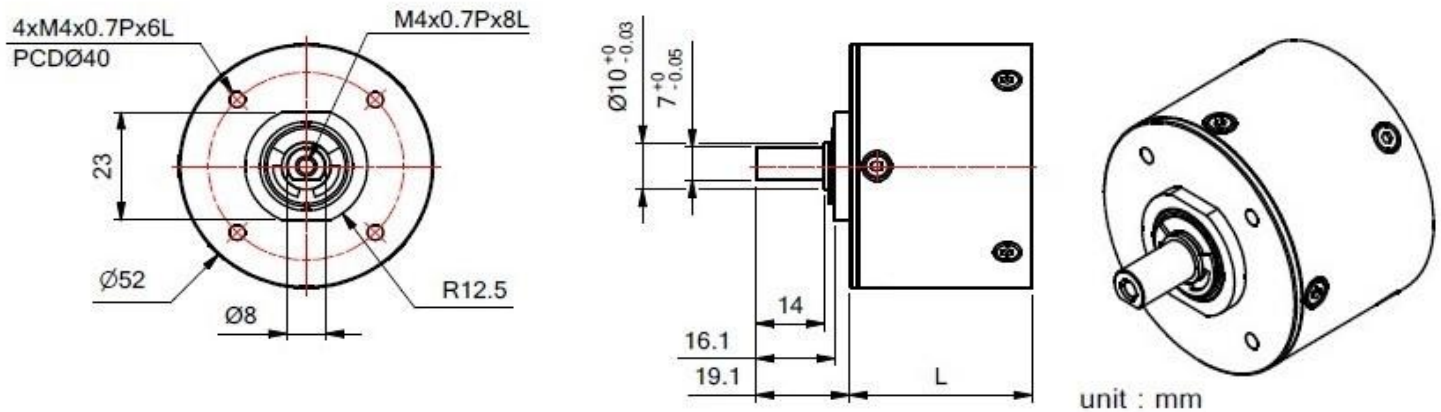




52 External Dimensions and Motor Teeth



Reducer Performance Data

Specifications		1-Stage		2-Stage			3-Stage						
Rated Output Torque	Nm	Ratio	Torque	Ratio	Torque	Ratio	Torque	Ratio	Torque	Ratio	Torque	Ratio	Torque
		4	1.3	15	3.9	/	/	50	6.5	114	6.5	/	/
		6	1.3	20	3.9	/	/	68	6.5	144	6.5	/	/
		/	/	26	3.9	/	/	85	6.5	182	6.5	/	/
		/	/	32	3.9	/	/	91	6.5	/	/	/	/
		/	/	/	/	/	/	106	6.5	/	/	/	/
Maximum Acceleration Torque	Nm	1.5 Twice the Rated Output Torque											
Rated Input Speed	rpm	5000		5000			5000						
Maximum Acceleration Input Speed	rpm	7000		7000			7000						
Backlash	acrmin	≤30		≤45			≤65						
Radial Load	N	90											
Axial Load	N	45											
Motor Gear Hole Diameter	mm	3.0~5.0											
Motor Shaft Length	mm	According to customer requirements											
Length (L)	mm	37.3		37.3			46.6						
Adapter Plate Length (L1)		According to customer requirements											
Efficiency	%	90		85			80						
Weight	g	300		300			390						
Operating Temperature	°C	-10°C ~ +70°C											
Installation Direction		In any direction											

These reducers are not of integer ratio.



4F., No.48, Wugong 6th Rd., Wugu Dist., New Taipei City 248, Taiwan

Tel : +886- 2-2299-1556  
Fax : +886- 2-2299-1881

e-mail : info@ideadesignproduction.com  
www.ideadesignproduction.com