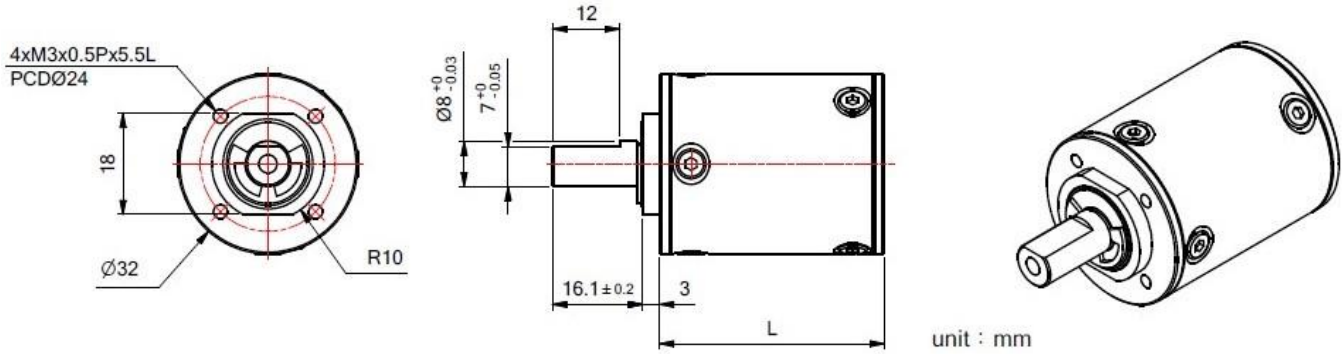




32 External Dimensions and Motor Teeth



Reducer Performance Data

Specifications		1-Stage		2-Stage		3-Stage					
		Ratio	Torque	Ratio	Torque	Ratio	Torque	Ratio	Torque	Ratio	Torque
Rated Output Torque	Nm	4	0.4	16	2	35	2	67	3	155	3
		5	0.4	19	2	43	2	78	3	188	3
		6	0.4	23	2			90	3	246	3
		8	0.4	27	2			110	3		
						33	2			133	3
Maximum Acceleration Torque	Nm	1.5 Twice the Rated Output Torque									
Rated Input Speed	rpm	5000		5000		5000					
Maximum Acceleration Input Speed	rpm	7000		7000		7000					
Backlash	acrmin	≤ 30		≤ 45		≤ 65					
Radial Load	N	90									
Axial Load	N	45									
Motor Gear Hole Diameter	mm	2.3~3.0									
Motor Shaft Length	mm	According to customer requirements									
Length (L)	mm	32.6		32.6		40					
Adapter Plate Length (L1)		According to customer requirements									
Efficiency	%	90		85		80					
Weight	g	110		110		160					
Operating Temperature	°C	-10°C ~ +70°C									
Installation Direction		In any direction									

These reducers are not of integer ratio.



4F., No.48, Wugong 6th Rd., Wugu Dist., New Taipei City 248, Taiwan



Tel : +886- 2-2299-1556
Fax : +886- 2-2299-1881

e-mail : info@ideadesignproduction.com
www.ideadesignproduction.com