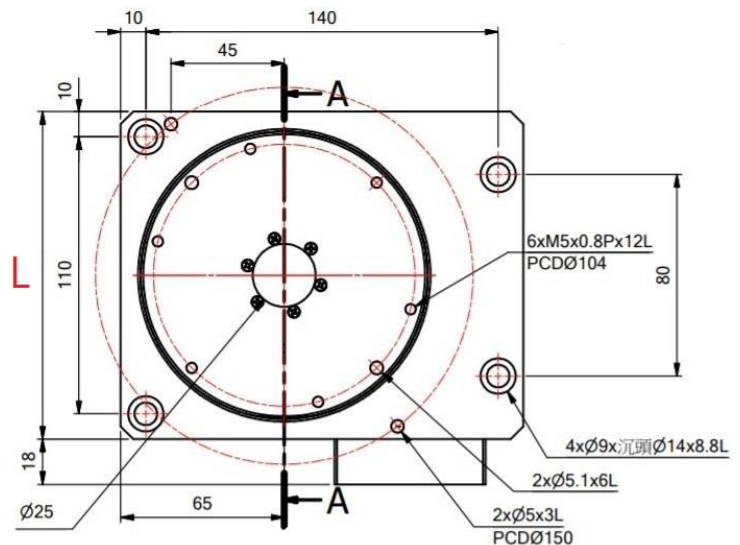
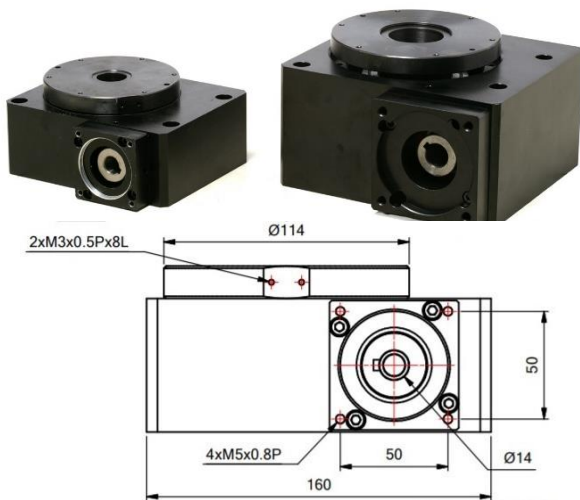




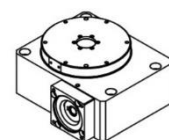
PW Hollow Rotary

The IDP-PW series hollow rotary platform adopts a worm gear design, featuring a large aperture for convenient wiring, high reduction ratio, and high torque characteristics, providing the equipment with excellent transmission advantages.



(示意尺寸,以 PW-130 為例)

model	PW-100H	PW-130H	PW-175H
Overall Length (mm)	100	130	175
Output Configuration	Crossed roller bearings	Crossed roller bearings	Crossed roller bearings
Permissible Torque (N.m)	70	80	80
Axial Load (Hanging) (N)	250	300	1000
Disk Side Load (N)	200	300	600
Ratio	30	30	20
Maximum Input Speed (rpm)	3000	3000	3000
Repeatability Precision (mm)	+/- 0.03	+/- 0.02	+/- 0.02
Turntable Backlash (arc-min)	10	5	6
Weight (kg)	3	5	12



4F., No.48, Wugong 6th Rd., Wugu Dist., New Taipei City 248, Taiwan

Tel : +886- 2-2299-1556
Fax : +886- 2-2299-1881

e-mail : info@ideadesignproduction.com
www.ideadesignproduction.com