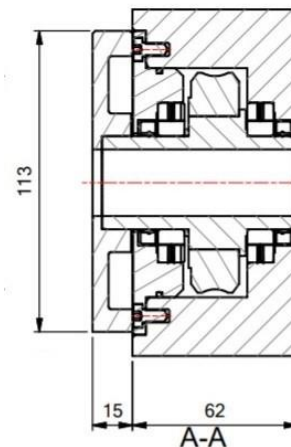
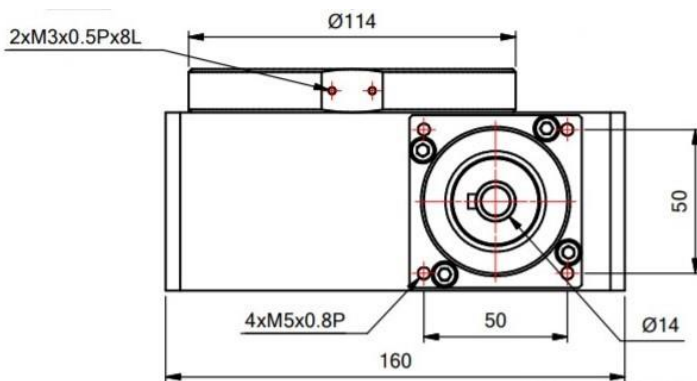
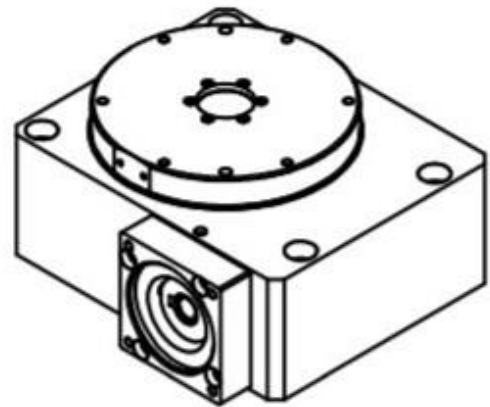


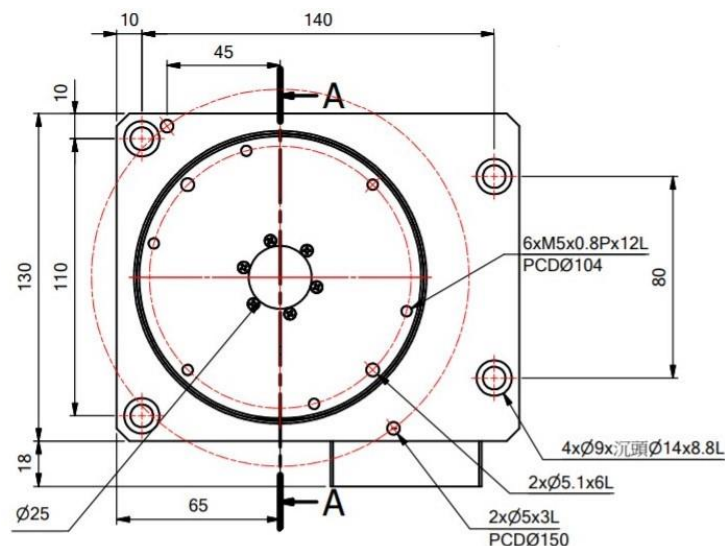


PW Hollow Rotary

The IDP-PW series hollow rotary platform adopts a worm gear design, featuring a large aperture for convenient wiring, high reduction ratio, and high torque characteristics, providing the equipment with excellent transmission advantages.



model	PW-130H
Output Configuration	Crossed roller bearings
Permissible Torque (N.m)	80
Axial Load (Hanging) (N)	300
Disk Side Load (N)	300
Ratio	30
Maximum Input Speed (rpm)	3000
Repeatability Precision (mm)	+/- 0.02
Turntable Backlash (arc-min)	5
Weight (kg)	5



4F., No.48, Wugong 6th Rd., Wugu Dist., New Taipei City 248, Taiwan



Tel : +886- 2-2299-1556
Fax : +886- 2-2299-1881

e-mail : info@ideadesignproduction.com
www.ideadesignproduction.com