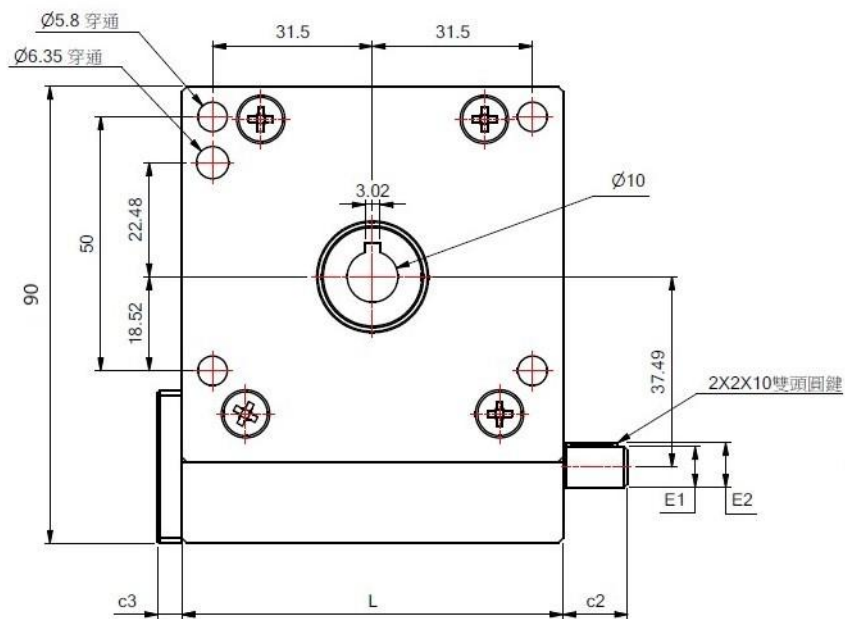




# WG037 / WGS037 Precision Worm Gear Reducer

The IDP-WormGearbox features high torque transmission capabilities, a variety of specification options, and finds extensive applications across various fields.



Worm Shaft	Center Distance	Reduction Ratio	Component Number	Material of the Housing	Specifications (mm)					
					L	C2	C3	W	E1	E2
Material: Carburized Steel										
Carburized Alloy Steel	37.49	15	WG037-015	Aluminum	75	12	1.5	32	8	8.8
	37.49	30	WG037-030	Aluminum	75	12	1.5	32	8	8.8
		60	WG037-060	Aluminum	75	12	1.5	32	7.8	8.6
Stainless Steel	37.49	30	WGS037-030	Stainless Steel	89	12.7	1.5	32	8	8.8
	37.49	30	WGS037-030	Stainless Steel	75	12.7	4.8	46	8	8.8



4F., No.48, Wugong 6th Rd., Wugu Dist., New Taipei City 248, Taiwan



Tel : +886- 2-2299-1556  
Fax : +886- 2-2299-1881

e-mail : info@ideadesignproduction.com  
www.ideadesignproduction.com